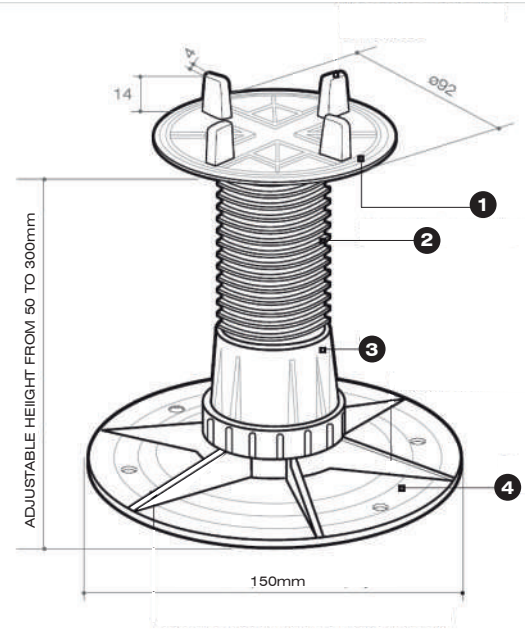


TECHNICAL DATA

PEDESTAL POLAIR

- 1 SUPPORT SURFACE**
Support surface that receives the floor with 4 flaps used to keep tiles squared.
- 2 CENTRAL COLUMN**
Threaded piece that allows the height adjustments.
- 3 WRENCHER**
Twisting this piece left or right, regulates the height of the pedestal.
- 4 BASE**
Composed of 5 stabilizer wings as well as 4 steps from 0 to 3%.



RANGE PEDESTALS

	FREE HEIGHTS	
	H. MIN	H. MAX
Pedestal POLAIR 5 / 7	50	70
Pedestal POLAIR 7 / 10	70	100
Pedestal POLAIR 10 / 13	100	135
Pedestal POLAIR 13 / 17	135	170
Pedestal POLAIR 17 / 19	170	190
Pedestal POLAIR 19 / 22	190	225
Pedestal POLAIR 22 / 26	225	260
Pedestal POLAIR 26 / 28	260	280
Pedestal POLAIR 28 / 31	280	310

FEATURES

LEED CERTIFICATION

Using this floor system contributes positively in obtaining LEED certifications both national and international.

DIMENSIONAL STABILITY

Manufactured in polypropilen, guarantees the stability in both high and low temperatures.

REGULATION

Twisting the center column allows the pedestal to easily regulate its height and reach its desired height.

CERTIFICATIONS



This company reserves the right to make any changes in their product without prior notice.