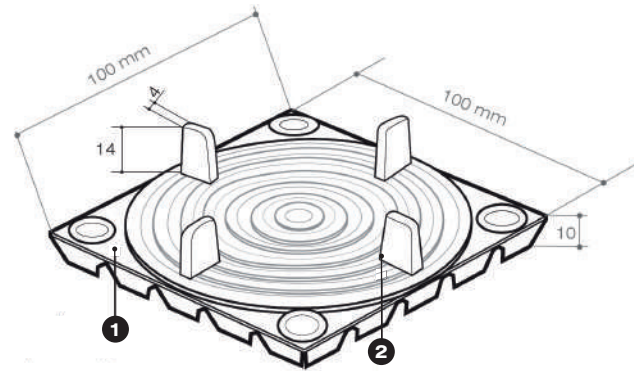


TECHNICAL DATA

PEDESTAL EXT

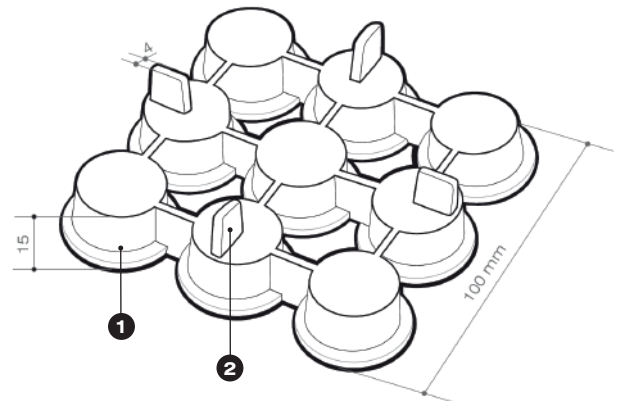
- 1 BASE**
Composed of 4 wings that support a weight of 8.00kg
- 2 WINGS**
Used to square the tiles and as drain.
- 3 STACKABLES**
Each pedestal can be stacked to reach the desired height. Both pedestals are mutually compatible to permit flexible use.



EXT-10

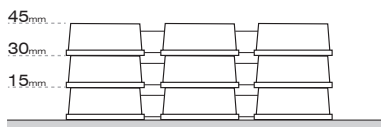
PEDESTAL RANGE

	FREE HEIGHTS
EXT - 10	10 mm
EXT - 15	15 mm

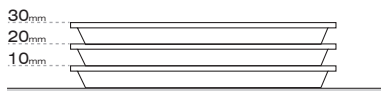


EXT-15

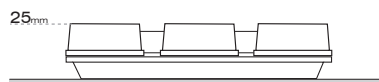
HEIGHT INCREASE



EXT-15



EXT-10



COMBINED

FEATURES

LEED CERTIFICATION

Using this floor system contributes positively in obtaining LEED certifications both national and international.

DIMENSIONAL STABILITY
Manufactured in polypropilen, guarantees the stability in both high and low temperatures.

REGULATION
These pedestals provide a very flexible use to obtain the desired height, and provide a proper leveling.

CERTIFICATIONS



This company reserves the right to make any changes in their product without prior notice.