

PEDESTAL T TH / RF

1 BASE TH

Composed of a circular steel plate measuring a diameter of 90mm and 3mm thickness, in the center of the plate is welded a tube of 26mm diameter with notch and threaded. The base has 8 holes to drain excess of adhesive or allow mechanical anchoring.

2 HEAD RF

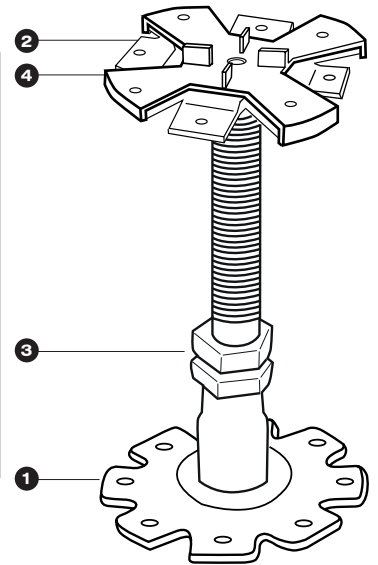
Composed of a circular steel plate measuring a diameter of 90mm and 3mm thickness, stamped in a star shape of 8 sides. The head has 8 holes to block conductive gasket/cup and stringers.

3 NUTS

The M-18 rod is provided with 2 Din-439 nuts of galvanized steel. These nuts work as support, leveling and lock assembly at selected height.

4 GASKET / CUP

Made of infilled PVC with an interior diameter of 90mm and 4 contact points between heads and panels.



RANGE PEDESTALS

	FREE HEIGHT	
	HL. MIN	HL. MAX
TH 35 / RF 55	55	80
TH 55 / RF 55	75	100
TH 80 / RF 55	100	125
TH 80 / RF 120	120	190
TH 170 / RF 120	190	280
TH 170 / RF 260	190	420
TH 390 / RF 260	410	640
TH 390 / RF 390	410	770
TH 390 / RF 450	450	830
TH 600 / RF 260	620	850
TH 600 / RF 390	620	980

OTHER POSSIBLE COMBINATIONS UNDER REQUIREMENT

FIRE CLASSIFICATION A1

Classified by official laboratory melting level of steel 1400 -1500°C

PROTECTION CORROSION

Galvanized

VERTICAL LOAD

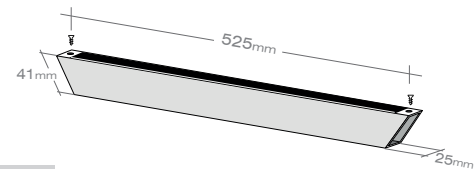
>60 kN

ELECTRIC RESISTANCE

Max. conductivity 2,0 Ohms

STRINGER RF-525

Galvanized reinforced steel stringer 1,5mm thickness with acoustic insulation (vibration), screwed to the pedestal.

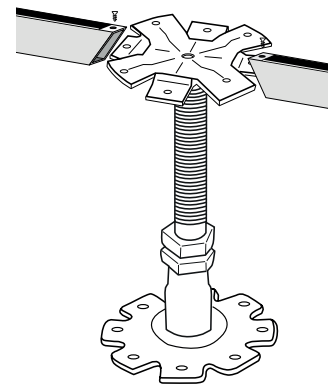


COMPLETE STRUCTURE

Each tile is supported by a steel structure-pedestal and screwed stringers with different heights so it is possible to access to the space under the floor, that can be used for electric installations, water pipelines, air conditioning, etc.

The election of pedestals depends on necessary maximum and minimum heights (see pedestal ranges).

The fixation of the pedestal to the floor base will be made with adhesive recommended by the manufacturer. Additionally, the pedestal has the possibility of being mechanically fixed with screws, if required by the client.



STRUCTURE FEATURES



LEED CERTIFICATION

Using this system contributes positively in obtaining LEED certifications, national and international.



GUARANTEED LEVELING

The structure has a triple screw system that guarantees the leveling of the complete structure.



SEISMIC SAFETY

The floor system has anti seismic characteristics, guaranteeing the safety of its installation.



SOUND PROOFING

This system has acquired acoustic values that improve the reduction of impact noise and acoustic absorption.

PRODUCTS CERTIFIED BY LABORATORIES



Polygroup reserves the right to make any changes in their product without prior notice.

Headquarters: P.I. Navisur c/ Narciso 5-6 41907, Valencina de la Concepción, Seville. Spain. Phone: (+34) 955 99 77 31

www.accessfloorpolygroup.com / info@afpolygroup.com