

PEDESTAL ATH / VH

1 BASE ATH

Composed of a square steel plate measuring 127x127mm and 3mm thickness, the base has 4 holes to drain excess of adhesive or allow mechanical anchoring. In the center of the plate is welded a tube, whose diameter is 32mm, with notch and threaded.

2 HEAD VH

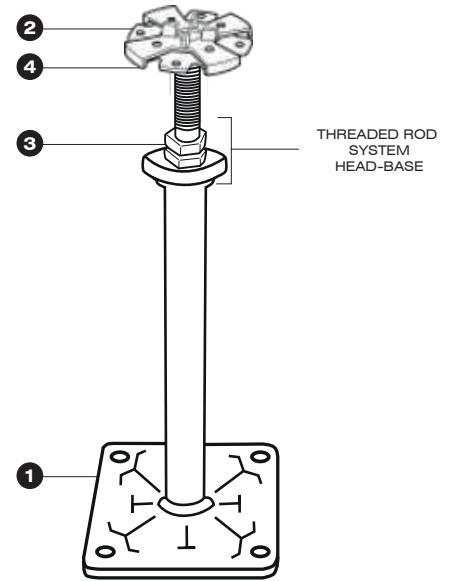
Composed of a circular steel plate measuring a diameter of 90mm and 3mm thickness, in the center of the plate is welded a threaded steel rod M-18 of variable height. The head has 8 holes to block conductive gasket/cup and stringers.

3 NUTS

The M-18 rod is provided with 2 Din-439 nuts of galvanized steel. These nuts work as support, leveling and lock assembly at selected height.

4 GASKET / CAPSULE

Made of infilled PVC with an interior diameter of 90mm and 4 contact points between heads and panels.



RANGE STRUCTURE

	FREE HEIGHTS		
	HL. MIN	HL. MAX	
ATH 800 / VH 260	820	980	FIRE CLASSIFICATION A1
ATH 800 / VH 390	820	1090	
ATH 800 / VH 450	820	1150	
ATH 800 / VH 600	820	1300	Classified by oficial laboratory melting level of steel 1400 -1500°C
ATH 900 / VH 260	920	1080	
ATH 900 / VH 390	920	1190	VERTICAL LOAD >60 kN
ATH 900 / VH 450	920	1250	
ATH 900 / VH 600	920	1400	
ATH 1200 / VH 260	1220	1360	PROTECTION CORROSION Galvanized
ATH 1200 / VH 390	1220	1490	
ATH 1200 / VH 450	1220	1550	
ATH 1200 / VH 600	1220	1700	ELECTRIC RESISTANCE Max. conductivity 2,0 Ohms
ATH 1500 / VH 260	1520	1660	
ATH 1500 / VH 390	1520	1790	
ATH 1500 / VH 450	1520	1850	
ATH 1500 / VH 600	1520	2000	

OTHER POSSIBLE COMBINATIONS UNDER REQUIREMENT

STRINGER T-525

Galvanized steel stringer 1.0mm thickness with acoustic insulation (vibration), clipped to the pedestal.



STRUCTURE FEATURES

LEED CERTIFICATION

Using this system contributes positively in obtaining LEED certifications, national and international.

GUARANTEED LEVELLING

The structure has a triple screw system that guarantees the leveling of the complete structure.

SOUND PROOFING

This system has acquired acoustic values that improve the reduction of impact noise and acoustic absorption.

SEISMIC SAFETY

The floor system has anti seismic characteristics, guaranteeing the safety of its installation.

PRODUCTS CERTIFIED BY LABORATORIES



Polygroup reserves the right to make any changes in their product without prior notice.

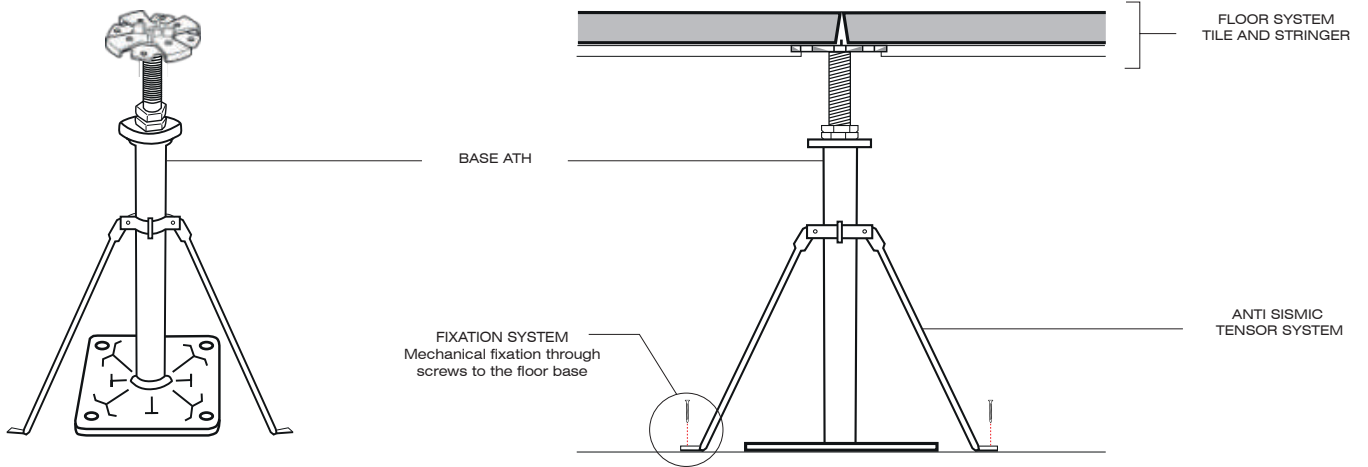
Headquarters: Pl. Navisur c/ Narciso 5-6 41907, Valencina de la Concepción, Seville. Spain. **Phone:** (+34) 955 99 77 31

www.accessfloorpolygroup.com / info@afpolygroup.com

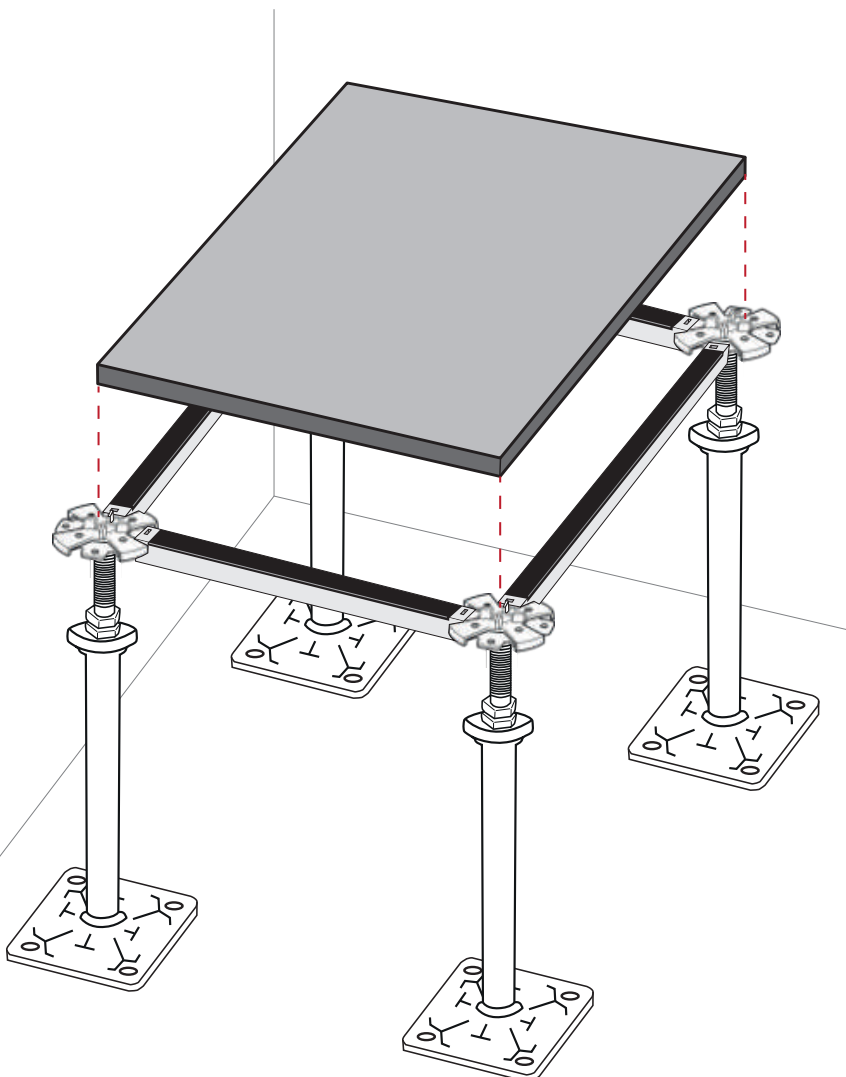
TECHNICAL DATA

GAMAFLOR STRUCTURE ATH / VH

 ANTISISMIC OPTION



 STRUCTURE WITH STRINGER



Each tile is supported by a steel structure-pedestal and clipped stringers with different heights so it is possible to access to the space under the floor, that can be used for electric installations, water pipelines, air conditioning, etc.

The election of pedestals depends on necessary maximum and minimum heights (see pedestal ranges).

The fixation of the pedestal to the floor base will be made with adhesive recommended by the manufacturer. Additionally, the pedestal has the possibility of being mechanically fixed with screws, if required by the client.