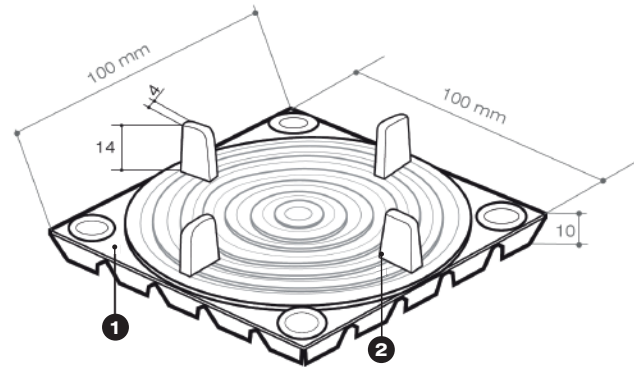


TECHNICAL DATA

**PEDESTAL EXT**

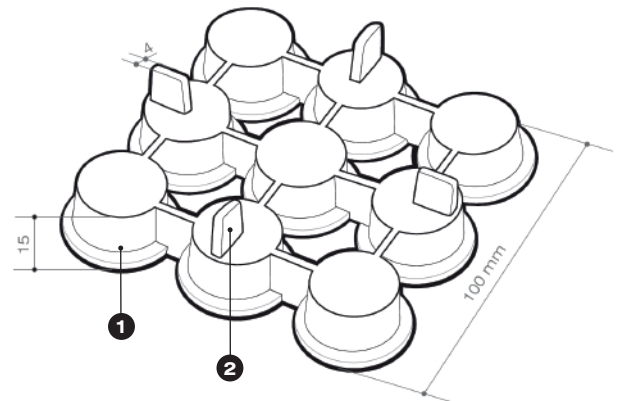
- 1 BASE**  
Composed of 4 wings that support a weight of 8.00kg
- 2 WINGS**  
Used to square the tiles and as drain.
- 3 STACKABLES**  
Each pedestal can be stacked to reach the desired height. Both pedestals are mutually compatible to permit flexible use.



EXT-10

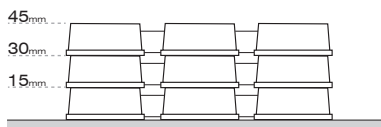
**PEDESTAL RANGE**

	FREE HEIGHTS
EXT - 10	10 mm
EXT - 15	15 mm

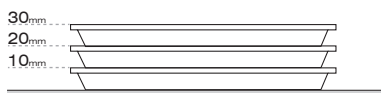


EXT-15

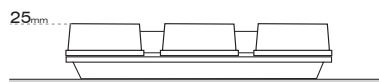
**HEIGHT INCREASE**



EXT-15



EXT-10



COMBINED

**FEATURES**

**LEED CERTIFICATION**

Using this floor system contributes positively in obtaining LEED certifications both national and international.

**DIMENSIONAL STABILITY**  
Manufactured in polypropilen, guarantees the stability in both high and low temperatures.

**REGULATION**  
These pedestals provide a very flexible use to obtain the desired height, and provide a proper leveling.

**CERTIFICATIONS**



This company reserves the right to make any changes in their product without prior notice.