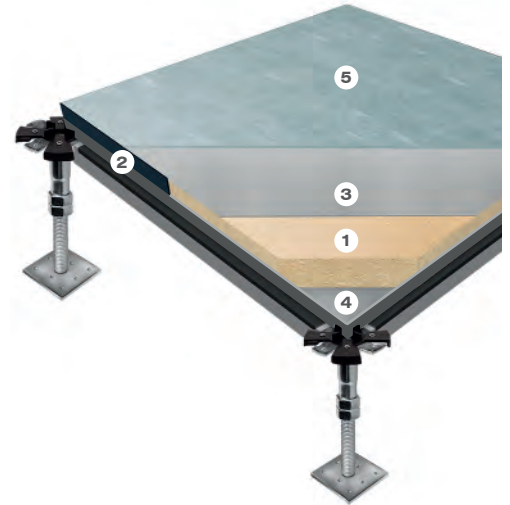


TECHNICAL DATA

PRODUCT COMPOSITION

- 1 CORE**
35mm thickness. High density chipboard (720kg/m³ ±10% according to international standards)
- 2 EDGE**
1.5mm thickness. No creak, self-extinguishing plastic band in black or grey color.
- 3 CENTRE LAYER**
Galvanized Z-275 steel sheet of 0.5mm thickness to provide duty loading resistance
- 4 BOTTOM LAYER**
Galvanized Z-275 steel tray of 0.5mm thickness. To provide a proper isolation to moisture and improve the mechanical performance and electrical conductivity.
- 5 TOP LAYER**
Antistatic Vinyl, ESD Vinyl, Conductive Vinyl, Antistatic carpet, Linoleum, Rubber, others under requirement.
- DIMENSIONS**
600 x 600 x 36mm + top layer thickness
- SOVEREIGN SYSTEM**
The top layer receives a treatment with a new technology. Once the raised floor is installed, the result is a homogenous appearance of continuity.



GAMAFLOR SYSTEM

WITHOUT STRINGER WITH STRINGER

Ultimated load	kN	18,90	19,80
Concentrated load Max. flexion 2,5mm	kN	6,65	6,71
Classification EN 12825		6A21	

(TESTED CENTER OF PANEL) TECHNICAL DATA ACCORDING TO REGULATION EN 12825

General Characteristics

Distributed load	kN/m ²	37,15
Weight per panel	kg	13,59
Weight per sqm Structure included HF 300mm WS	kg	39,85 41,95
Conductivity EN 1815	Kw	<2 antistatic physiologic
Electrical Resistance EN1081	Ω	>10 ⁹
Fire classification EN 13501-1:2002		Bfl-s1
Inflammability EN ISO 11925-2:2002		No combustion or ignition
Flame spread EN ISO 9239-1:2002		Ø

REFLECTED WEIGHTS IN TECHNICAL DATA ARE ORIENTATIVE

FEATURES

LEED CERTIFICATION

Using this floor system contributes positively in obtaining LEED certifications both national and international.

SEISMIC SAFETY

This floor system has anti seismic characteristics, guaranteeing the safety of its installation. We can provide seismic study under the ASCE 7-10 regulation.

SOUND PROOFING

The system has acquired acoustic values that improve the reduction of impact noise and acoustic absorption.

Regulation EN 12825

Position 1. Element class

	1	2	3	4	5	6
Last admitted load KN	≥ 4	≥ 6	≥ 8	≥ 9	≥ 10	≥ 12
Aprox. kg	400	600	800	900	1000	1200

Position 2. Flexion class
A = 2,5 mm B = 3,0 mm C = 4,0 mm

Position 3. Safety class
2 / 3

Position 4. Squareness class

	Long side	Squad	Thickness
CLASS 1	± 0,2 mm	± 0,3 mm	± 0,3 mm
CLASS 2	± 0,4 mm	± 0,5 mm	± 0,5 mm

PRODUCTS CERTIFIED BY LABORATORIES



This company reserves the right to make any changes in their product without prior notice.