



CHARACTERISTICS

Double panel lifter used to lift individual tiles from a raised floor system in order to provide access to the structure underneath, as well as installations.

PROPERTIES

- Adjustable to all types of tiles from any raised floor systems
- Available in color black

MEASUREMENTS

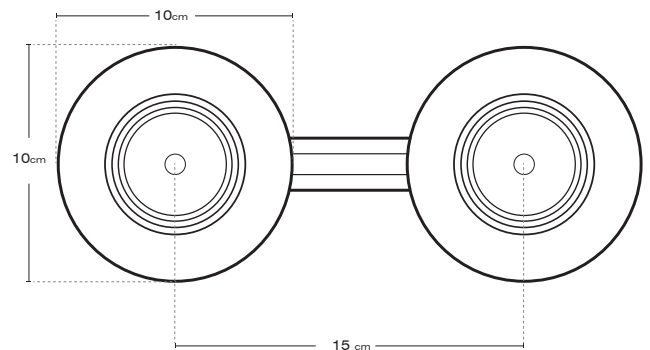
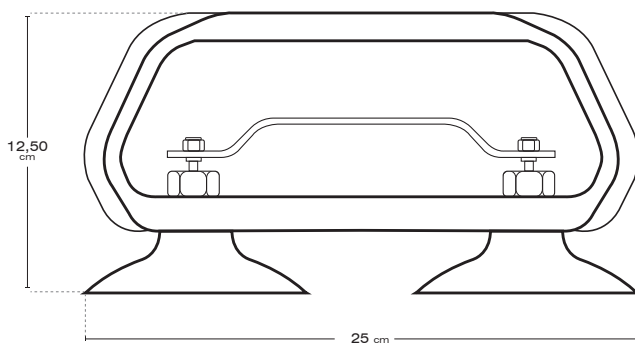
- Long: 25 cm
- Width: 10 cm
- Height: 12,50 cm



Example of use



MEASUREMENTS



FEATURES

DURABILITY

Due to its composition, the panel lifter endures heavy manipulation, cleansing and usage.

REGULATION

This accessory can be easily used with any tile that keeps a plane surface.



CERTIFICATIONS



This company reserves the right to make any changes in their product without prior notice.