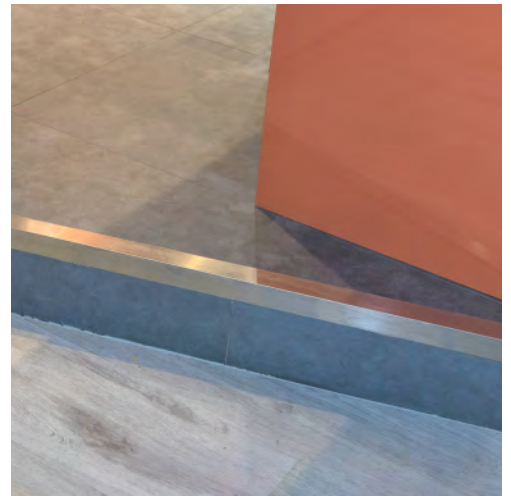




CHARACTERISTICS

Used as an aesthetic accessory in order to cover up the raised floor system structure, providing an homogenous appearance.

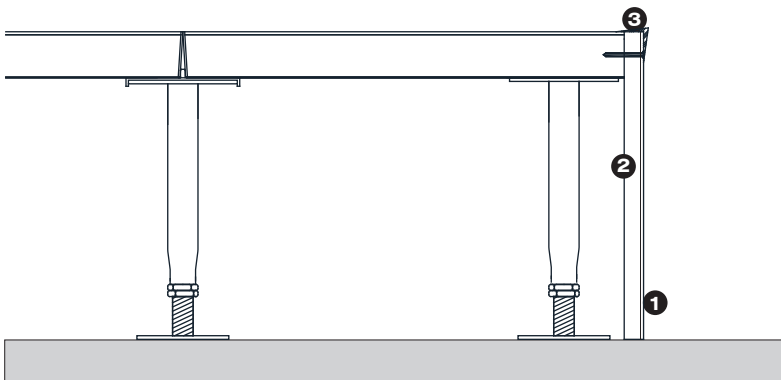
- 1 FINISH**
Similar to the finish used un the raised floor
- 2 CORE**
High density chipboard of 16mm thickness
- 3 EDGE**
Aluminum edge
- DIMENSIONS**
Under requirement



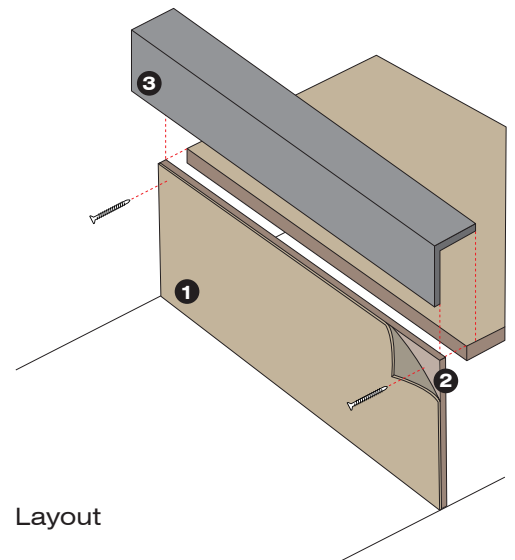
Example of use



PLACING



Fascia system



Layout



FEATURES



LEED CERTIFICATION

Using this floor system accessory contributes positively in obtaining LEED certifications both national and international.



DIMENSIONAL STABILITY

Due to its manufacture materials, GAMAFLOR FASCIA guarantees the stability in both high and low temperatures.



REGULATION

This accessory can be easily used in any given space due to its versatility and appearance.



CERTIFICATIONS



This company reserves the right to make any changes in their product without prior notice.