



CHARACTERISTICS

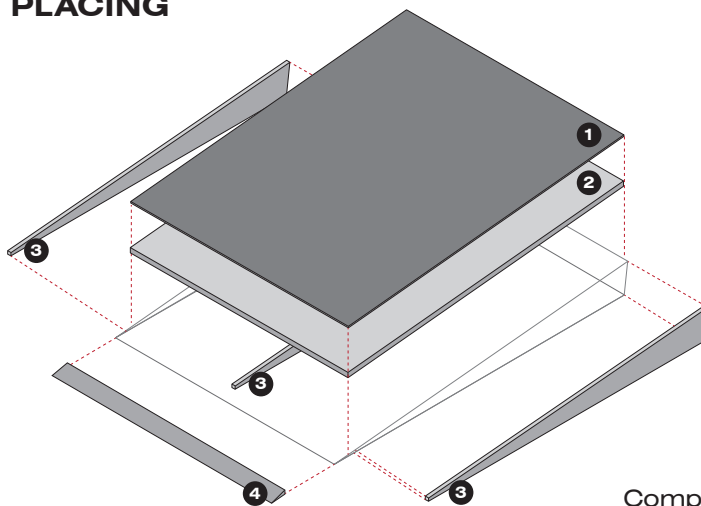
- 1 COVERING**
Black rubber covering with buttons or Anti-slip PVC Segurit
- 2 CORE**
High density chipboard of 20 - 30mm thickness
- 3 RIB**
High density chipboard of 20 - 30mm thickness
- 4 END**
Galvanized steel
- MEASUREMENTS**
Under requirement



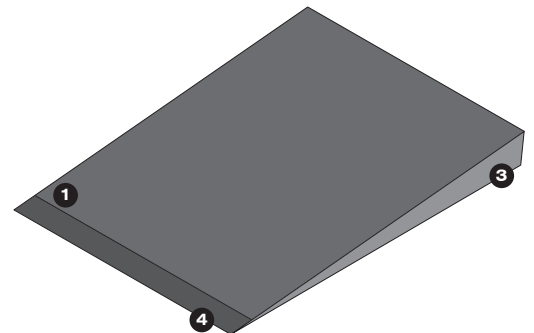
Example of use



PLACING



Components



Complete ramp



FEATURES

LEED CERTIFICATION

Using this floor system accessory contributes positively in obtaining LEED certifications both national and international.



ENDURANCE

Due to its composition, this accessory has been designed to resist in spaces with heavy flow.



ACCESSIBILITY

Gamaflor ramp provides an easy and comfortable access to any raised floor system, fostering a proper access to everyone.



ADAPTABILITY

This element is highly flexible and can be adapted to all raised floor systems in any given space.



CERTIFICATIONS



This company reserves the right to make any changes in their product without prior notice.