

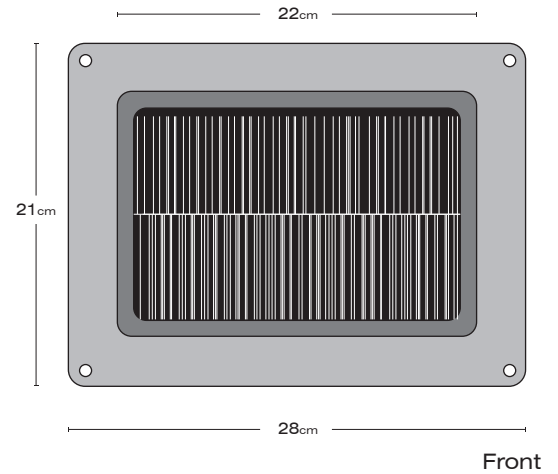
CHARACTERISTICS

Gamaflor Grommet G28/B provides a comfortable connection for cables from underneath the raised floor system to above.

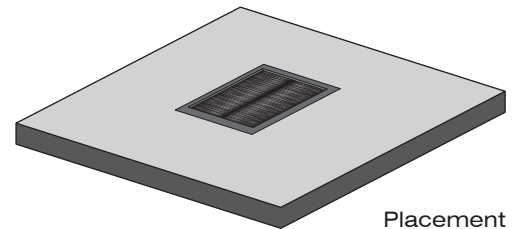
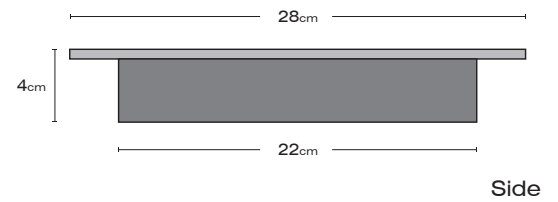
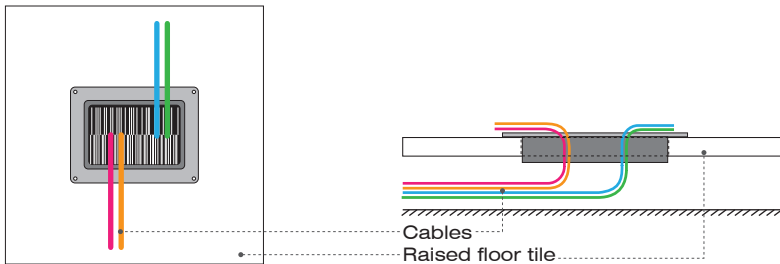
- The central brush allows the cables to cross smoothly from under the raised floor system to above, preventing any penetration of dust and particles.
- Strong structure to endure time and weight.
- Adjustable to all raised floor systems.

MEASUREMENTS

Long: 28 cm
Wide: 21 cm



PLACEMENT



FEATURES

LEED CERTIFICATION

Using this floor system contributes positively in obtaining LEED certifications both national and international.

DIMENSIONAL STABILITY

The materials and properties of this product guarantee the stability in both high and low temperatures.

REGULATION

This accessory can easily be used in any space and can be adapted to all raised floors.

CERTIFICATIONS



This company reserves the right to make any changes in their product without prior notice.