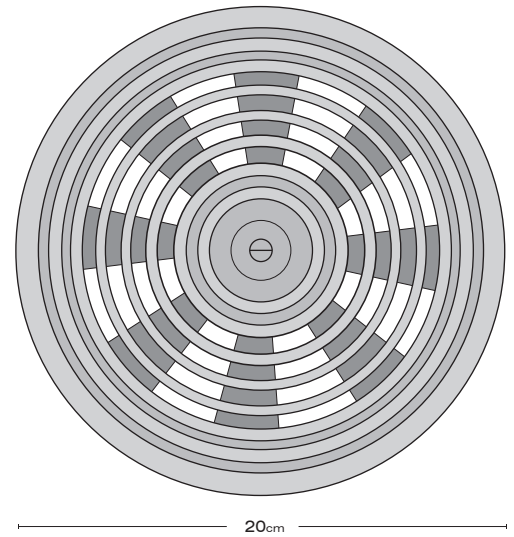


**CHARACTERISTICS**

Air flow diffuser made of aluminum, with diameter of 20cm adjustable to any raised floor system.

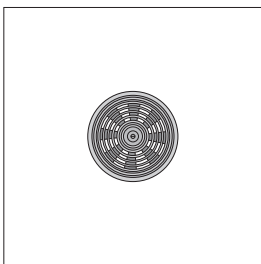
**PROPIEDADES**

- Air flow regulation for ventilation systems located under the a raised floor system.
- The air stream can be adjusted from the front.
- Particle tray is situated underneath with adjustable height allowed.
- The disffuser can be used in all raised floor systems.

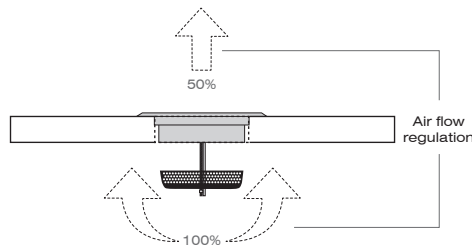


20cm

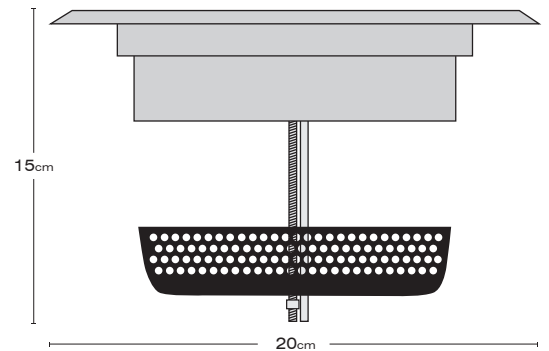
**FASTENING**



Front



Side



15cm

20cm

**FEATURES**



**LEED CERTIFICATION**

Using this floor system contributes positively in obtaining LEED certifications both national and international.

**DIMENSIONAL STABILITY**

The materials and properties of this product guarantee the stability in both high and low temperatures.

**REGULATION**

The diffuser has an easy manipulation system from the front, allowing anyone to regulate the air flow.

**CERTIFICATIONS**



This company reserves the right to make any changes in their product without prior notice.