

TECHNICAL DATA

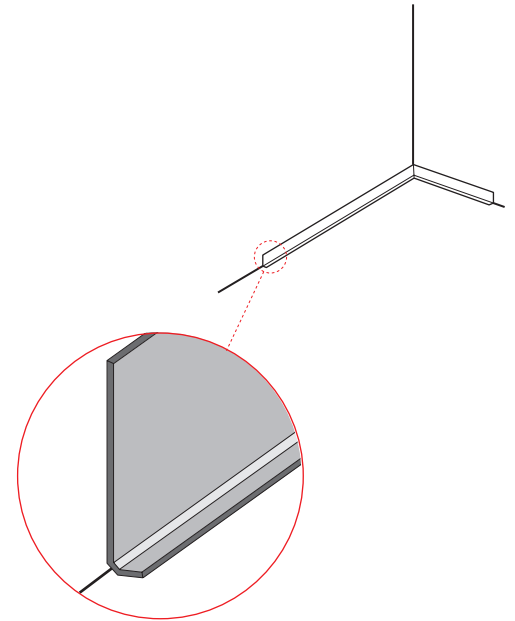
CHARACTERISTICS

- Flexible vinyl skirting used for modular pavements.
- Endurance to aging as well as chemical agents.
- Due to its great elasticity, the skirting is extremely easy to install and maintain.
- Its composition keeps maximum hygiene.

● **COLOR**
Black

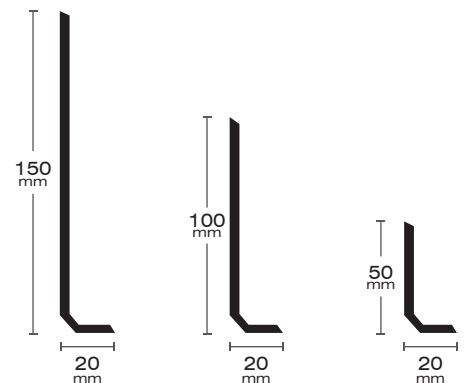
● **SPECIAL ACCORDING TO RAL OR FLOORING**
Under request. Minimum 300 meters.

● **ROLL LENGTH**
50 meters



RANGE

	Height (mm)	Base (mm)	Thickness (mm)
Skirting PVC 20	20	20	2
Skirting PVC 50	50	20	2
Skirting PVC 80	80	20	2
Skirting PVC 100	100	20	2
Skirting PVC 150	150	20	2
Skirting PVC 200	200	20	2



FEATURES



LEED CERTIFICATION

Using this floor system contributes positively in obtaining LEED certifications both national and international.



ENDURANCE

Manufactured in pvc, guarantees the stability in both high and low temperatures.



ADAPTABILITY

Due to its flexibility, the skirting can be easily used in every raised floor system.

CERTIFICATIONS



This company reserves the right to make any changes in their product without prior notice.

Headquarter / Factories: P.I. Navisur c/ Narciso 5-6 41907, Valencina de la Concepción, Seville. Spain. Phone: (+34) 955 99 77 31

www.accesfloorpolygroup.com

info@afpolygroup.com