

PEDESTAL TH / VF

1 BASE TH

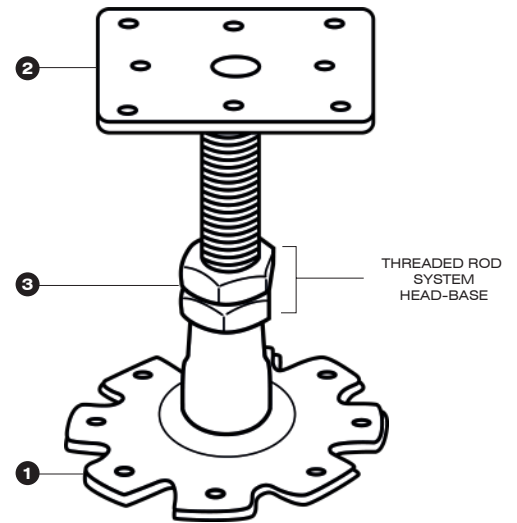
Composed of a circular steel plate measuring a diameter of 90mm and 3mm thickness, in the center of the plate is welded a tube with notch and threaded. The base has 8 holes to drain excess of adhesive or allow mechanical anchoring.

2 HEAD VF

Composed of a square steel plate measuring 76x76mm and 3mm thickness, 8 holes allow the stringers and/or panels screwing in place. The centre of the plate is linear welded to a threaded steel rod M-18 of variable height.

3 NUTS

The M-18 rod is provided with 2 Din-439 nuts of galvanized steel. These nuts work as support, leveling and lock assembly at selected height.



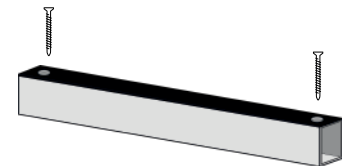
RANGE PEDESTALS

	FREE HEIGHT		
	HL. MIN	HL. MAX	
VF 55 / VF 0*	25	55	FIRE CLASSIFICATION A1 Classified by official laboratory smelting level of steel 1400 -1500°C
TH 35 / VF 55	55	80	
TH 55 / VF 55	75	100	
TH 80 / VF 55	100	125	VERTICAL LOAD >60 kN
TH 80 / VF 120	120	190	
TH 170 / VF 120	190	280	
TH 170 / VF 260	260	415	PROTECTION CORROSION Galvanized
TH 390 / VF 260	410	635	
TH 390 / VF 390	410	765	
TH 390 / VF 450	450	825	ELECTRIC RESISTANCE Max. conductivity 2,0 Ohms
TH 600 / VF 260	620	845	
TH 600 / VF 390	620	970	
TH 600 / VF 450	620	1000	

OTHER POSSIBLE COMBINATIONS UNDER REQUIREMENT

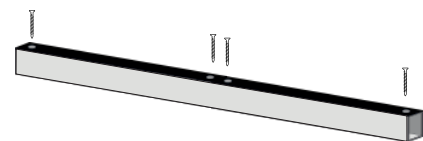
STRINGER FS-550

Galvanized steel stringer 1.0mm thickness with acoustic insulation (vibration), screwed to the pedestal with a FS-45 screw.



STRINGER FS-1150

Galvanized double steel stringer 1.0mm thickness with acoustic insulation (vibration), screwed to the pedestal.



STRUCTURE FEATURES



LEED CERTIFICATION

Using this system contributes positively in obtaining LEED certifications, national & international.



GUARANTEED LEVELLING

The structure has a triple screw system that guarantees the leveling of the complete structure.



SEISMIC SAFETY

The floor system has anti seismic characteristics, guaranteeing the safety of its installation.



SOUND PROOFING

This system has acquired acoustic values that improve the reduction of impact noise and acoustic absorption.

PRODUCTS CERTIFIED BY LABORATORIES



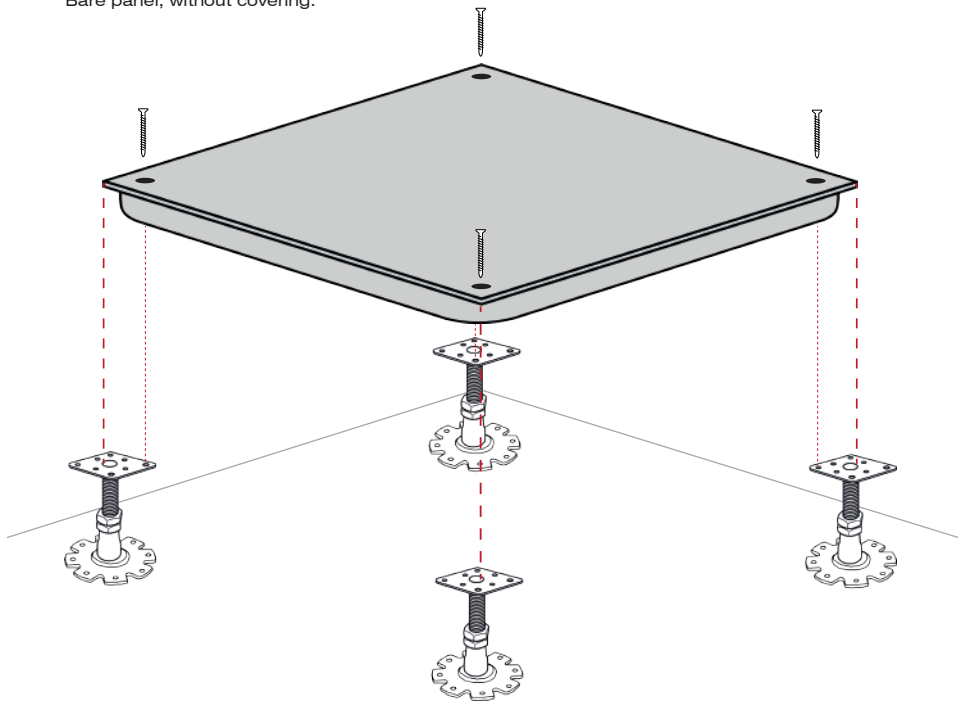
This company reserves the right to make any changes in their product without prior notice.

TECHNICAL DATA

GAMAFLOR STRUCTURE FS TH/VF

STRUCTURE WITHOUT STRINGER

Maximum height 450mm.
Bare panel, without covering.



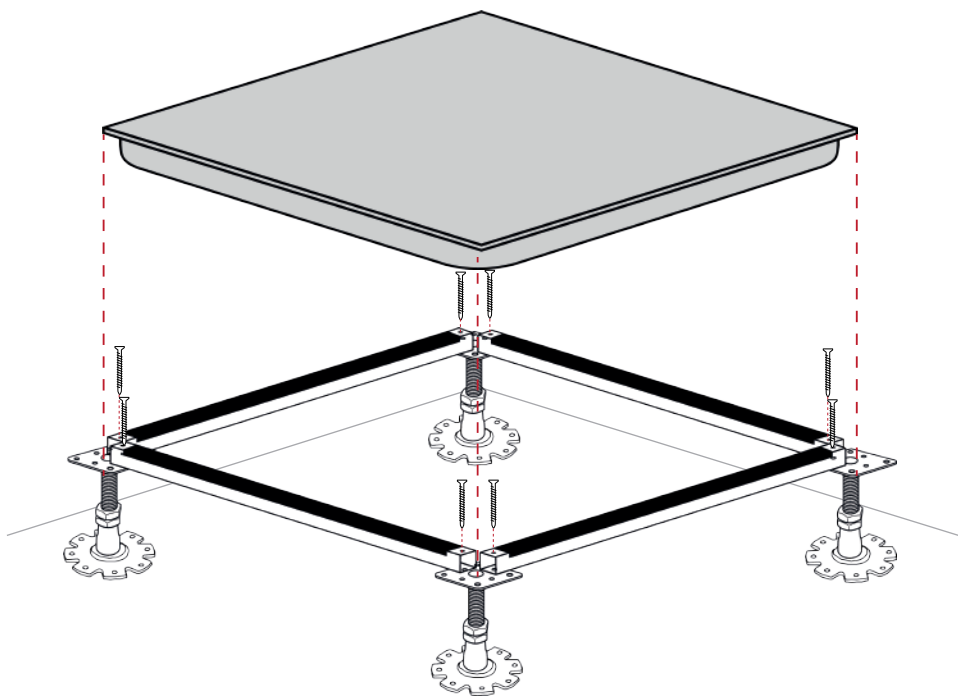
Each tile is supported by a steel structure-pedestal and screwed stringers with different heights so it is possible to access to the space under the floor, that can be used for electric installations, water pipelines, air conditioning, etc.

The election of pedestals depends on necessary maximum and minimum heights (see pedestal ranges).

The fixation of the pedestal to the floor base will be made with adhesive recommended by the manufacturer. Additionally, the pedestal has the possibility of being mechanically fixed with screws, if required by the client.

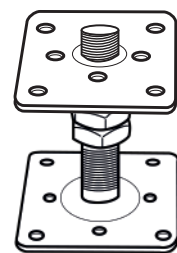
STRUCTURE WITH STRINGER

Panel with covering, used at any height.

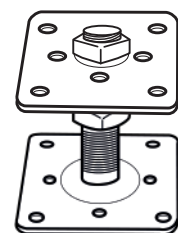


PEDESTAL VF55 / VF0*

This pedestal is used when reaching the minimal height allowed by the raised floor system



Threaded rod system underneath the VF0 head.



Threaded rod system located above and underneath the VF0 head.

This company reserves the right to make any changes in their product without prior notice.